



DIRECT DRIVE

POWERED BY BLACK BRUIN



PRO-DIG™
Reliability Under Pressure



DRILLING ATTACHMENTS & FOUNDATION TOOLING

(785) • 856 • 2661

WWW.PRO-DIG-USA.COM

DIRECT DRIVE CONFIGURATIONS

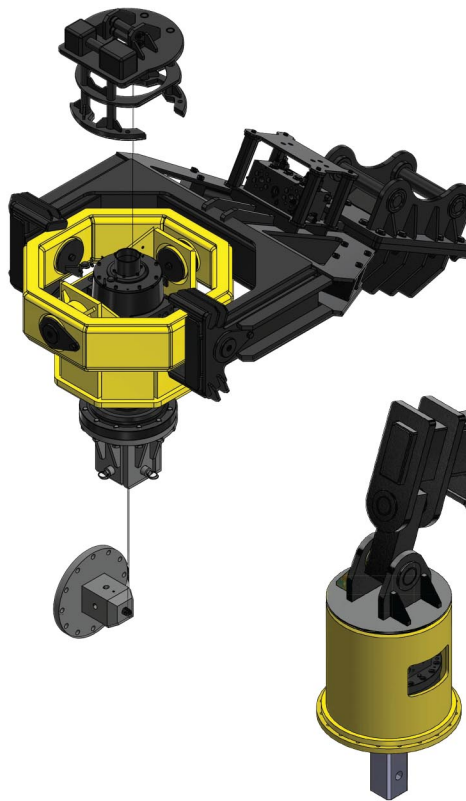
**MAST
W/ HELICAL**



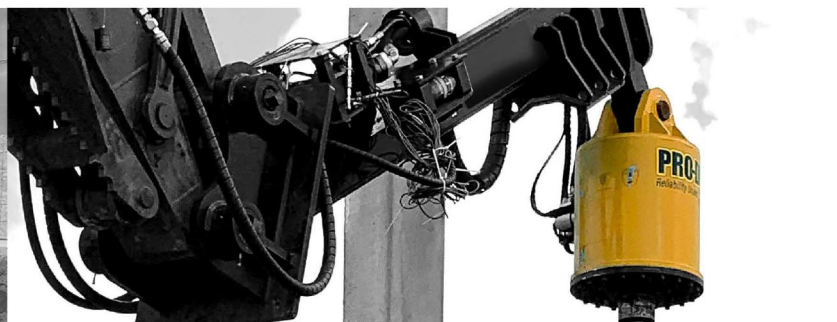
**MAST
CFA**



**GIMBAL
W/ WINCH (*PATENT PENDING)**



**BAIL HOUSING
DANGLE**



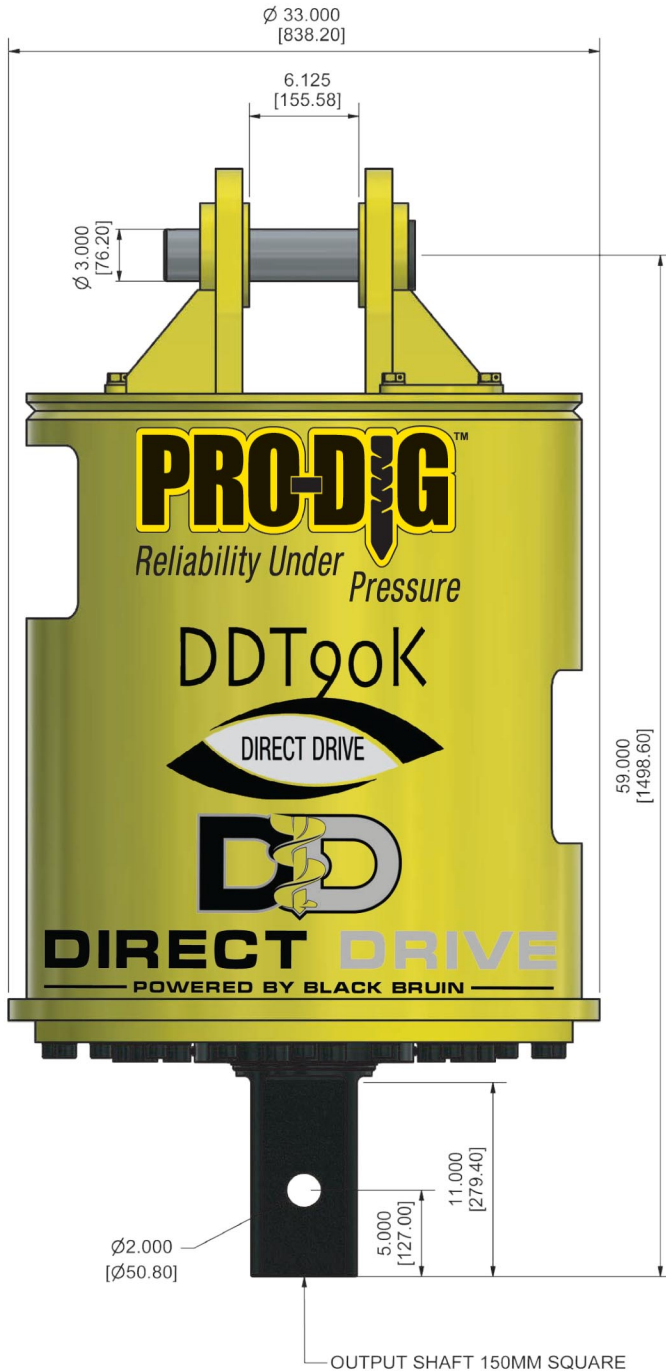
THE PRO-DIG DIFFERENCE

“The Pro-Dig DDT Drills outperform all other foundation drills on the market, handsdown”

The construction is ideal for demanding drilling applications with direction changes and shock loads. Direct drive transmits hydraulic energy efficiently without gears. With the 2-speed function, drilling speed can be changed on-the-go without stopping the operation. This is a great advantage in varying soil and ground conditions, ensuring the highest productivity possible.

DDT 90K

Part Number	DDT90K
Min. Hydraulic Flow	20 GPM
Max. Hydraulic Flow	150 GPM (568 LMP)
Max. Continuous Pressure	6500 PSI (448 Bar)
Output Shaft	150 mm square



OUTPUT SPEED

FLOW	LOW SPEED	HIGH SPEED
GPM (LPM)	RPM	RPM
20 (76)	3	7
40 (151)	7	13
60 (227)	10	20
80 (303)	13	27
100 (379)	17	34
120 (454)	20	40
140 (530)	23	47
150 (568)	25	50

OUTPUT TORQUE

PRESSURE	HIGH SPEED	LOW SPEED
PSI (BAR)	ft-lbs (Nm)	ft-lbs (Nm)
500 (34)	4550 (6169)	9100 (12338)
750 (52)	6825 (9254)	13650 (18508)
1000 (69)	9100 (12338)	18201 (24677)
1250 (86)	11375 (15423)	22751 (30846)
1500 (103)	13650 (18508)	27301 (37015)
1750 (121)	15926 (21592)	31851 (43184)
2000 (138)	18201 (24677)	36401 (49353)
2250 (155)	20476 (27761)	40951 (55523)
2500 (172)	22751 (30846)	45501 (61692)
2750 (189)	25026 (33930)	50052 (67861)
3000 (207)	27301 (37015)	54602 (74030)
3250 (224)	29576 (40100)	59152 (80199)
3500 (241)	31851 (43184)	63702 (86368)
3750 (258)	34126 (46269)	68252 (92538)
4000 (276)	36401 (49353)	72802 (98707)
4250 (293)	38676 (52438)	77352 (104876)
4500 (310)	40951 (55523)	81903 (111045)
4750 (327)	43226 (58607)	86453 (117214)
5000 (345)	45501 (61692)	91003 (123384)

Note: 1 Ftlb = 1.356 Nm

- 97% mechanical efficiency vs approximately 80% in a planetary translates to more raw power and fuel efficiency.
- Exceptional long service life, drive rated to 6,500 PSI continuous operation.
- Two speed shift on the fly
- Extreme compact design, much shorter than a traditional planetary drive.
- No maintenance equals no downtime or maintenance costs
- Robust piston design with zero backlash

DDT 75K

Part Number	DDT75K
Min. Hydraulic Flow	20 GPM
Max. Hydraulic Flow	150 GPM (568 LMP)
Max. Continuous Pressure	6500 PSI (448 Bar)
Output Shaft	150 mm square



OUTPUT SPEED

FLOW	LOW SPEED	HIGH SPEED
GPM (LPM)	RPM	RPM
20 (76)	4	8
40 (151)	8	16
60 (227)	12	24
80 (303)	16	32
100 (379)	20	40
120 (454)	24	48
140 (530)	28	56
150 (568)	30	60

OUTPUT TORQUE

PRESSURE	HIGH SPEED	LOW SPEED
PSI (BAR)	ft-lbs (Nm)	ft-lbs (Nm)
500 (34)	3822 (5182)	7644 (10364)
750 (52)	5733 (7773)	11466 (15546)
1000 (69)	7644 (10364)	15288 (20728)
1250 (86)	9555 (12955)	19111 (25911)
1500 (103)	11466 (15546)	22933 (31093)
1750 (121)	13377 (18137)	26755 (36275)
2000 (138)	15288 (20728)	30577 (41457)
2250 (155)	17200 (23319)	34399 (46639)
2500 (172)	19111 (25911)	38221 (51821)
2750 (189)	21022 (28502)	42043 (57003)
3000 (207)	22933 (31093)	45865 (62185)
3250 (224)	24844 (33684)	49688 (67367)
3500 (241)	26755 (36275)	53510 (72550)
3750 (258)	28666 (38866)	57332 (77732)
4000 (276)	30577 (41457)	61154 (82914)
4250 (293)	32488 (44048)	64976 (88096)
4500 (310)	34399 (46639)	68798 (93278)
4750 (327)	36310 (49230)	72620 (98460)
5000 (345)	38221 (51821)	76442 (103642)

Note: 1 Ftlb = 1.356 Nm

THE PRO-DIG DIFFERENCE

97% Mechanical Efficiency versus approximately 80% in a planetary translates to more raw power and fuel efficiency. No routine maintenance unlike a planetary gearbox results in more uptime on the job and no expensive maintenance routine.

DDT 60K

Part Number	DDT 60K
Min. Hydraulic Flow	20 GPM
Max. Hydraulic Flow	150 GPM (568 LMP)
Max. Continuous Pressure	6500 PSI (448 Bar)
Output Shaft	150 mm square



OUTPUT SPEED

FLOW	LOW SPEED	HIGH SPEED
GPM (LPM)	RPM	RPM
20 (76)	5	10
40 (151)	10	20
60 (227)	15	30
80 (303)	20	40
100 (379)	35	71
120 (454)	30	61
140 (530)	35	71
150 (568)	38	76

OUTPUT TORQUE

PRESSURE	HIGH SPEED	LOW SPEED
PSI (BAR)	ft-lbs (Nm)	ft-lbs (Nm)
500 (34)	3033 (4113)	6076 (8226)
750 (52)	4550 (6169)	9100 (12338)
1000 (69)	6067 (8226)	12134 (16451)
1250 (86)	7584 (10282)	15167 (20564)
1500 (103)	9100 (12338)	18201 (24677)
1750 (121)	10617 (14395)	21234 (28789)
2000 (138)	12134 (16451)	24267 (32902)
2250 (155)	13650 (18508)	27301 (37015)
2500 (172)	15167 (20564)	30334 (41128)
2750 (189)	16684 (22620)	33368 (45241)
3000 (207)	18201 (24677)	36401 (49353)
3250 (224)	19717 (26733)	39435 (53466)
3500 (241)	21234 (28789)	42468 (57579)
3750 (258)	22751 (30846)	45501 (61692)
4000 (276)	24267 (32902)	48535 (65805)
4250 (293)	25784 (34959)	51568 (69917)
4500 (310)	27301 (37015)	54602 (74030)
4750 (327)	28818 (39071)	57635 (78143)
5000 (345)	30334 (41128)	60669 (82256)

Note: 1 Ftlb = 1.356 Nm

“THE PRO-DIG DDT DRILLS OUTPERFORM ALL OTHER FOUNDATION DRILLS ON THE MARKET, HANDS DOWN”

The PRO-DIG Range of Direct Drive Motors are revolutionary in the arduous application of drilling. The performance, efficiency and lifetime far exceed that of a traditional planetary gearbox

DDT 40K

Part Number	DDT 40K
Min. Hydraulic Flow	20 GPM
Max. Hydraulic Flow	150 GPM (568 LMP)
Max. Continuous Pressure	6500 PSI (448 Bar)
Output Shaft	4" square



OUTPUT SPEED

FLOW	LOW SPEED	HIGH SPEED
GPM (LPM)	RPM	RPM
20 (76)	8	15
40 (151)	15	30
60 (227)	23	45
80 (303)	30	61
100 (379)	38	76
120 (454)	45	91
140 (530)	53	106
150 (568)	57	114

OUTPUT TORQUE

PRESSURE	HIGH SPEED	LOW SPEED
PSI (BAR)	ft-lbs (Nm)	ft-lbs (Nm)
500 (34)	2022 (2742)	4045 (5484)
750 (52)	3033 (4113)	6067 (8226)
1000 (69)	4045 (5484)	8089 (10967)
1250 (86)	5056 (6855)	10111 (13709)
1500 (103)	6067 (8226)	12134 (16451)
1750 (121)	7078 (9596)	14156 (19193)
2000 (138)	8089 (10967)	16178 (21935)
2250 (155)	9100 (12338)	18201 (24677)
2500 (155)	10111 (12338)	20223 (27419)
2750 (189)	11123 (15080)	22245 (30160)
3000 (207)	12134 (16451)	24267 (32902)
3250 (224)	13145 (17822)	26290 (35644)
3500 (241)	14156 (19193)	28312 (38386)
3750 (258)	15167 (20564)	30334 (41128)
4000 (276)	16178 (21935)	32357 (43870)
4250 (293)	17189 (23306)	34379 (46612)
4500 (310)	18201 (24677)	36401 (49353)
4750 (327)	19212 (26048)	38423 (52095)
5000 (345)	20223 (27419)	40446 (54837)

Note: 1 FtIb = 1.356 Nm

- 97% mechanical efficiency vs approximately 80% in a planetary translates to more raw power and fuel efficiency.
- Exceptional long service life, drive rated to 6,500 PSI continuous operation.
- Two speed shift on the fly
- Extreme compact design, much shorter than a traditional planetary drive.
- No maintenance equals no downtime or maintenance costs
- Robust piston design with zero backlash

PRO-DIG™

Reliability Under Pressure



GLOBAL MANUFACTURING

PRO-DIG manufactures its products in state of the art facilities in both the USA and the UK. We employ the latest techniques and manufacturing technologies including CNC machining centers, Plasma Profiling, CNC Gear Shaping, and fabrication of all products.

TRADEMARKS



MEMBERS & AFFILIATIONS



CONTACT

785 • 856 • 2661 WWW.PRO-DIG-USA.COM

1604 ROSEPORT RD • ELWOOD, KS 66024

